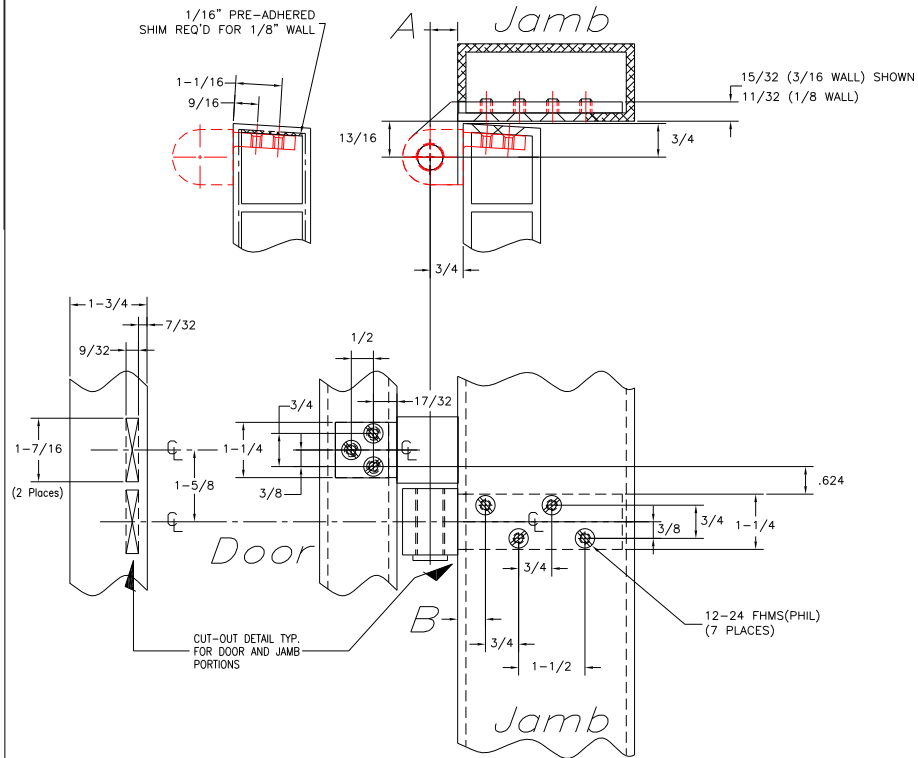


DIMENSION	A	B
DOOR RECESSED 1/8"	5/8"	5/8"
DOOR FLUSH WITH HEADER	3/4"	1/2"

RH/LHRB (SHOWN)
LH/RHRB (OPPOSITE)
PIVOT REVERSIBLE FOR DESIRED HAND



MODEL J69

DIMENSIONAL TOLERANCES UNLESS OTHERWISE SPECIFIED	APPROVALS	DATE
DECIMAL DIMENSIONS .XX ± .010	APPROVED	
DECIMAL DIMENSIONS .XXX ± .005	CHECKED	
ANGULAR ± ° FRACTIONAL ± 1/64	DRAWN	R.M. 8.21.02

FILE NO.
10-1049

NEXT ASSY.

QTY. USED

FINISH
HEAT TREAT

SCALE
NONE

INTERMEDIATE PIVOT
SET NO. J69
(1/8 & 3/16" WALL THICKNESS)

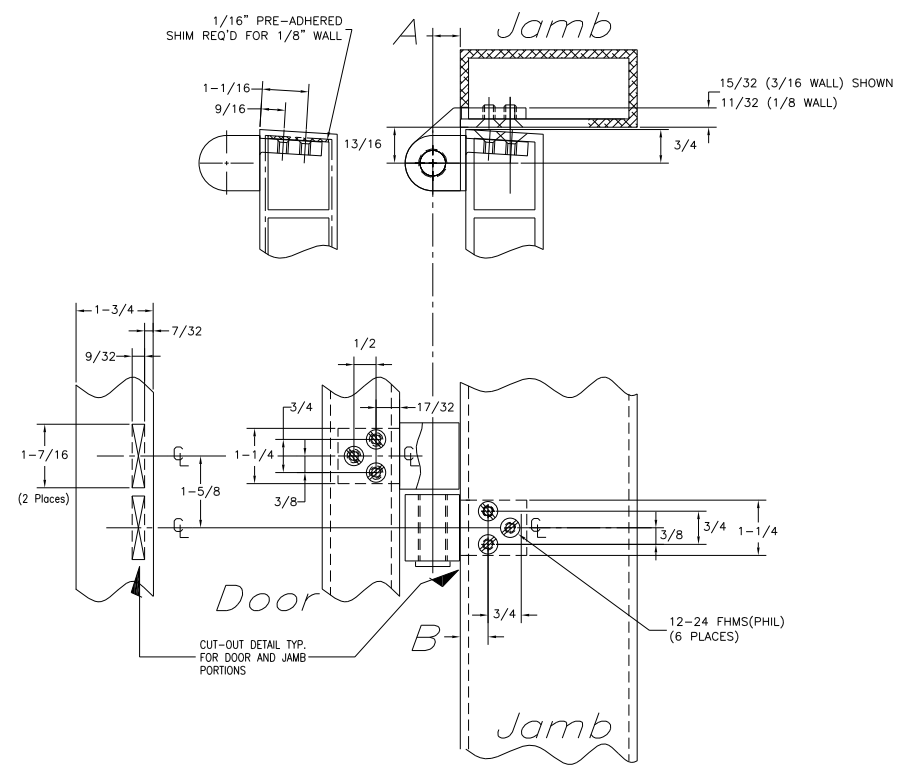
Jackson
CORPORATION
3447 UNION PACIFIC AVE.
LOS ANGELES, CALIF. 90023

SHEET 1 OF 1 SHEETS
DWG. NO. 10-1049
REV. B

DIMENSION	A	B
DOOR RECESSED 1/8"	5/8"	5/8"
DOOR FLUSH WITH HEADER	3/4"	1/2"

RH/LHRB (SHOWN)
LH/RHRB (OPPOSITE)
PIVOT REVERSIBLE FOR DESIRED HAND

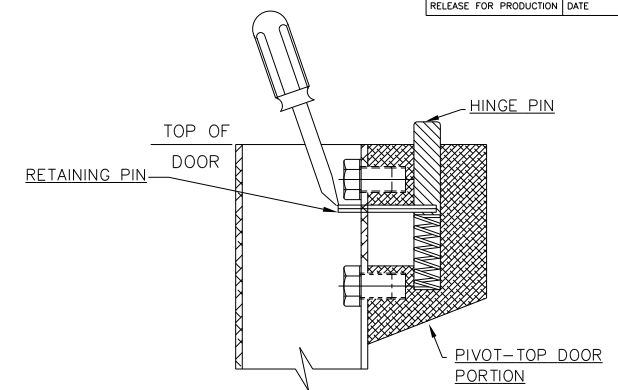
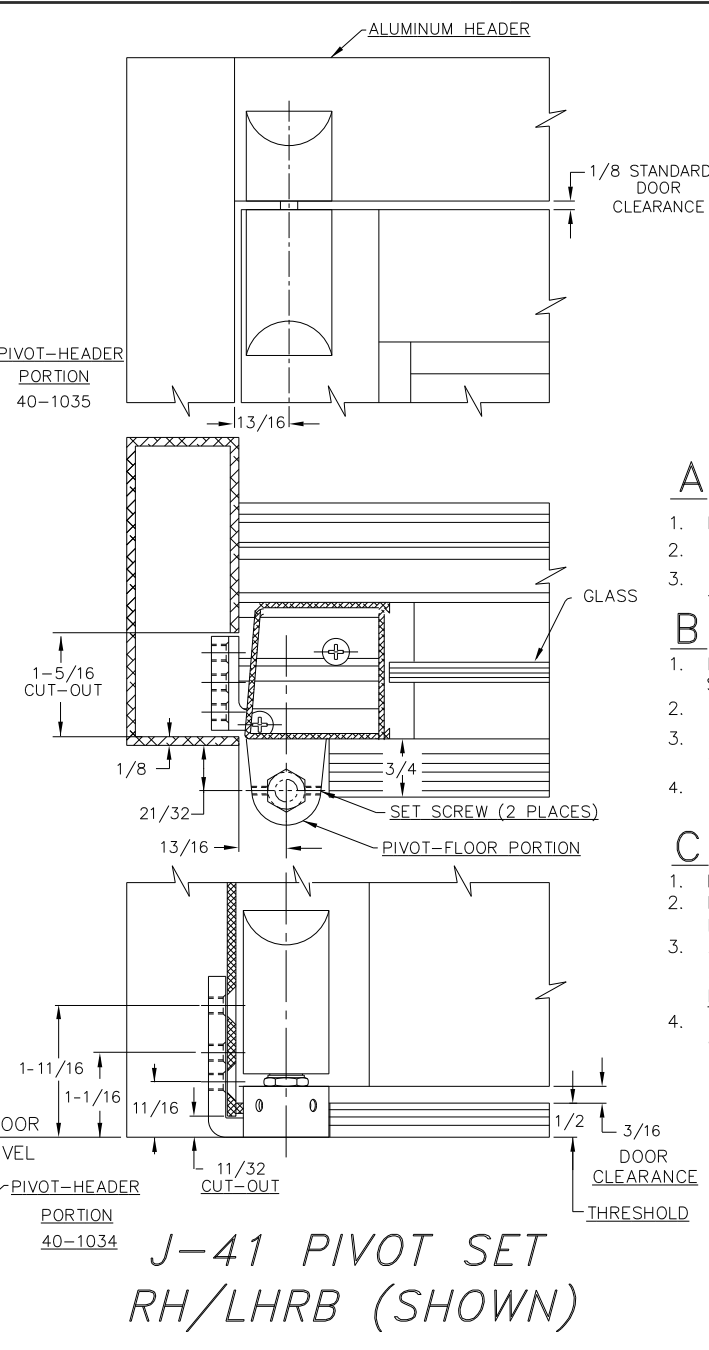
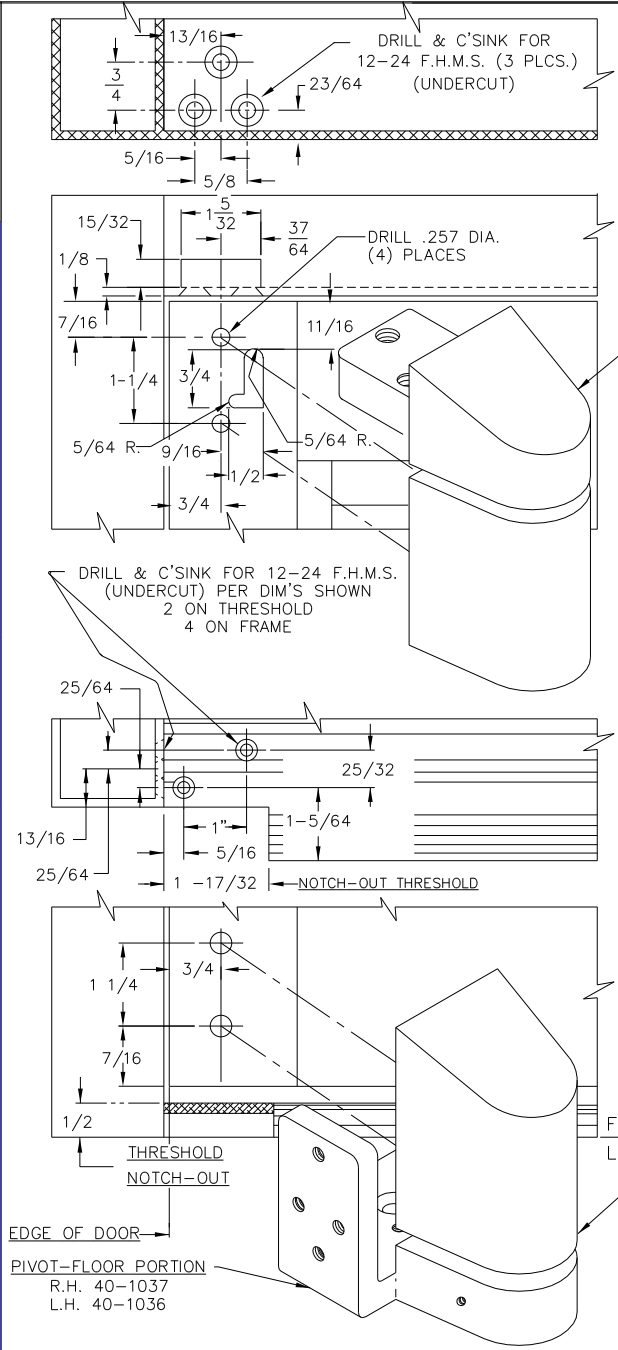
RELEASE FOR PRODUCTION DATE



MODEL J69S

DIMENSIONAL TOLERANCES UNLESS OTHERWISE SPECIFIED		APPROVALS	DATE
DECIMAL DIMENSIONS .XX	± .010	APPROVED	
DECIMAL DIMENSIONS .XXX	± .005	CHECKED	
ANGULAR ± °	FRACTIONAL ± 1/64	DRAWN	R.M. 8.22.02
FILE NO. 10-1051	MATERIAL	SCALE	NONE
NEXT ASSY.	FINISH	INTERMEDIATE PIVOT SET NO. J69S (1/8 & 3/16" WALL THICKNESS)	
QTY. USED	HEAT TREAT	SHEET 1 OF 1 SHEETS DWG. NO. 10-1051 REV. B	





SECTION VIEW
VIEW SHOWING MANNER OF DEPRESSING HINGE PIN

A - PRELIMINARY:

1. DRILL HOLES FOR MOUNTING OF PIVOTS AS SHOWN ON TEMPLATE.
2. ROUTE OUT FRAME AND HEADER AS SHOWN ON TEMPLATE FOR PIVOT INSTALLATION.
3. NOTCH-OUT THRESHOLD FOR INSTALLATION OF FLOOR PIVOT AS SHOWN ON TEMPLATE.

B - PIVOT MOUNTING:

1. INSTALL TOP AND BOTTOM DOOR PIVOTS USING (2 EA.) 1/4-20 x 1/2 HEX HD. CAP SCREW AND (2 EA.) LOCKWASHERS AS SHOWN ON SECTION VIEW.
2. INSERT HEADER PORTION OF PIVOT AND SECURE WITH THREE 12-24 F.H.M.S.
3. PLACE FLOOR PORTION OF PIVOT IN POSITION AND SECURE TO FRAME WITH FOUR 12-24 F.H.M.S.
4. PLACE THRESHOLD IN POSITION, SECURE IN NORMAL MANNER AND SECURE THRESHOLD TO FLOOR PIVOT USING TWO 12-24 F.H.M.S.

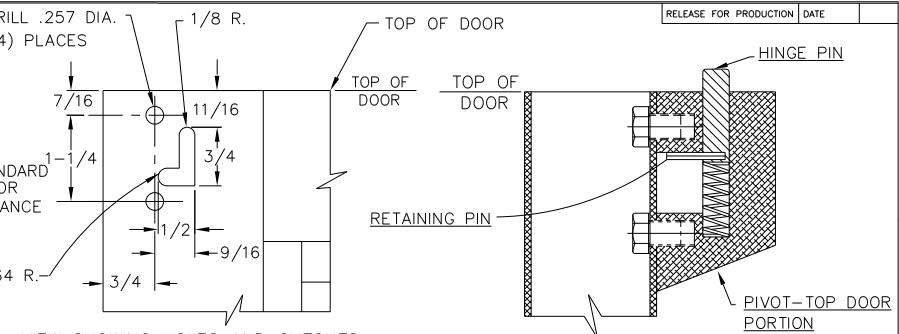
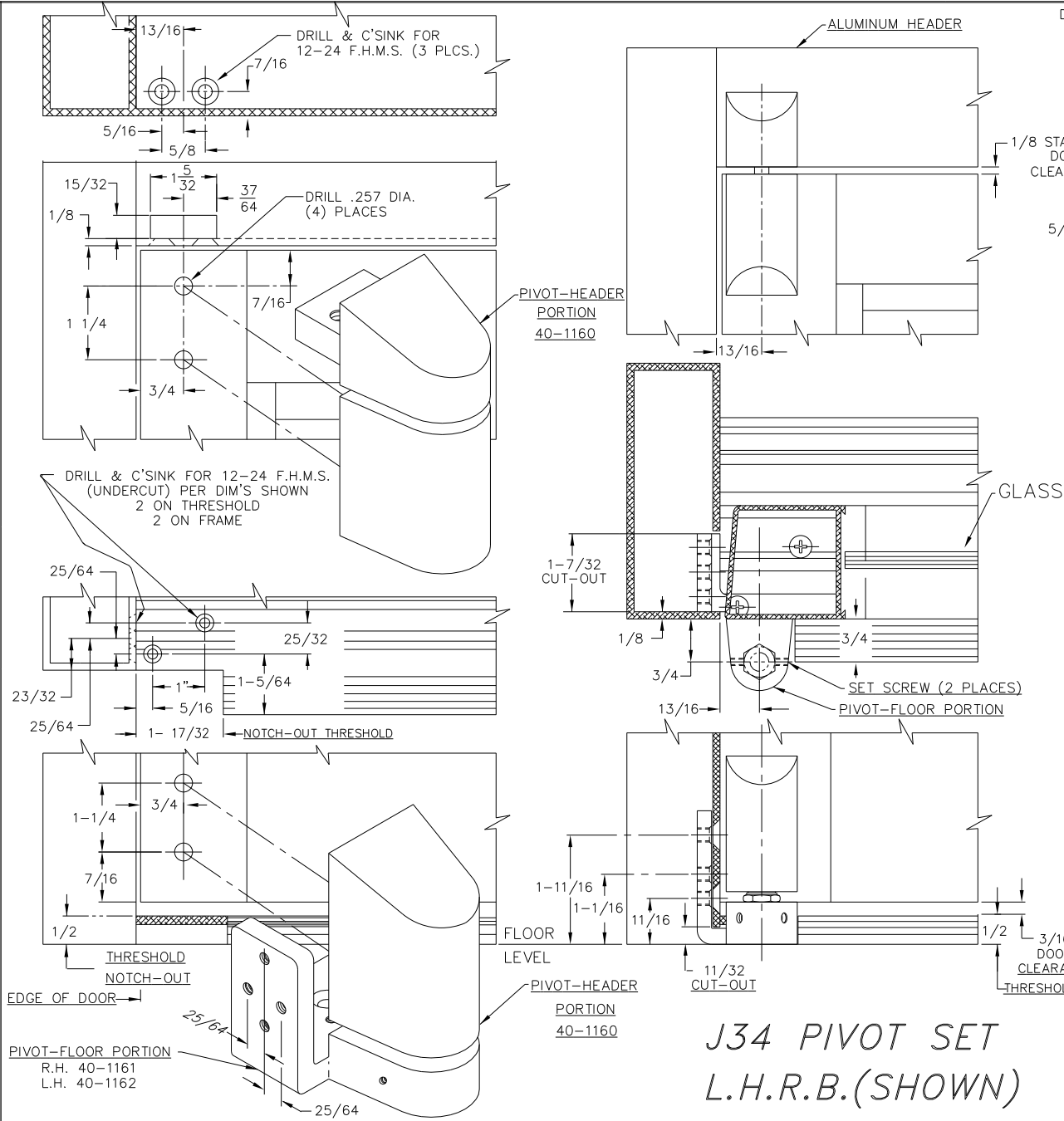
C - DOOR INSTALLATION:

1. PLACE DOOR OVER FLOOR PORTION PIVOT AT A SLIGHT ANGLE.
2. DEPRESS HINGE PIN IN TOP DOOR PORTION PIVOT THEN SLIDE UNDER HEADER PORTION PIVOT UNTIL PIN IS ENGAGED.
3. ADJUST TOP AND BOTTOM DOOR CLEARANCE, AS REQUIRED, BY TURNING ADJUSTABLE PIVOT PIN (AFTER LOOSENING SET SCREW). **BE SURE AND RETIGHTEN.**
4. TO REMOVE DOOR, PLACE SCREW DRIVER ON RETAINING PIN AND DEPRESS AS SHOWN IN SECTION VIEW.

**J-41 PIVOT SET
RH/LHRB (SHOWN)**

C 2/26/98	RE DRAWN	ECN1143	RM
DIMENSIONAL TOLERANCES UNLESS OTHERWISE SPECIFIED		APPROVALS	DATE
DECIMAL DIMENSIONS .XX ± .010		CHECKED	
DECIMAL DIMENSIONS .XXX ± .005		DRAWN	JJM 3/8/97
ANGULAR ± ° FRACTIONAL ± 1/64		SCALE	NONE
FILE NO.	MATERIAL	INSTALLATION INSTRUCTIONS J-41 PIVOT SET DOOR RECESS 3/32	
NEXT ASSY.	FINISH	SHEET 1 OF 1 SHEETS DWG. NO. 10-501	
QTY. USED	HEAT TREAT	REV. C	





VIEW SHOWING HOLES AND CUTOUTS FOR TOP DOOR PORTION PIVOT WITH LONG RETAINING PIN. (TO REMOVE DOOR, PLACE SCREWDRIVER ON RETAINING PIN (ROLL PIN) AND DEPRESS)

SECTION VIEW SHOWING INSTALLATION OF HEX HD. CAP SCREW & LOCKWASHER TO REMOVE DOOR USING TOP DOOR PORTION PIVOT WITH SHORT RETAINING PIN (ROLL PIN), REMOVE EITHER HEADER PORTION PIVOT OR TOP DOOR PORTION PIVOT FIRST.

A - PRELIMINARY:

1. DRILL HOLES FOR MOUNTING OF PIVOTS AS SHOWN ON TEMPLATE.
2. ROUTE OUT FRAME AND HEADER AS SHOWN ON TEMPLATE FOR PIVOT INSTALLATION.
3. NOTCH-OUT THRESHOLD FOR INSTALLATION OF FLOOR PIVOT AS SHOWN ON TEMPLATE.

B - PIVOT MOUNTING:

1. INSTALL TOP AND BOTTOM DOOR PIVOTS USING (2 EA.) 1/4-20 x 1/2 HEX HD. CAP SCREW AND (2 EA.) LOCKWASHERS AS SHOWN ON SECTION VIEW.
2. INSERT HEADER PORTION OF PIVOT AND SECURE WITH (2) 1/4-20x5/8 FHMS #14 x 1/2 F.H.W.S. AND TWO (2) #14 ANCHORS.
3. PLACE FLOOR PORTION OF PIVOT IN POSITION AND SECURE TO FRAME WITH TWO (2) 12-24 x 3/4 FHMS
4. PLACE THRESHOLD IN POSITION, SECURE IN NORMAL MANNER AND SECURE THRESHOLD TO TO FLOOR PIVOT USING TWO (2) 12-24 x 3/8 FHMS

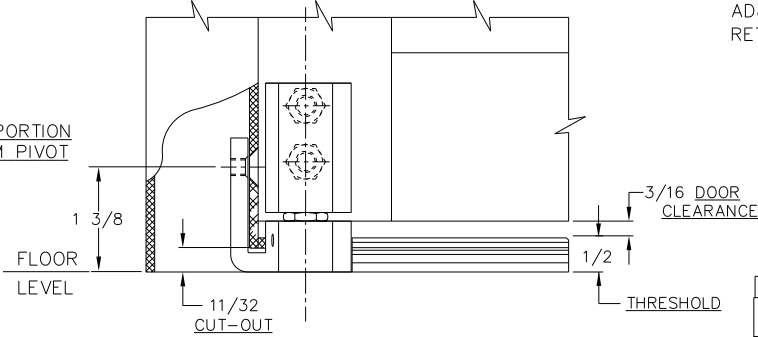
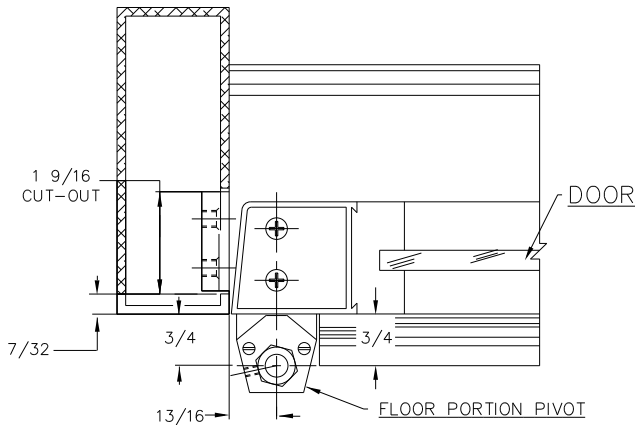
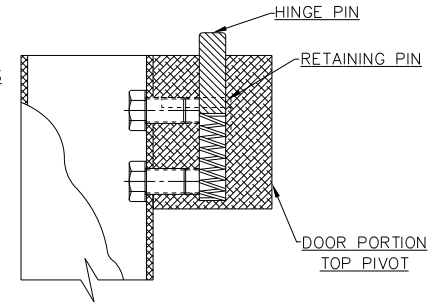
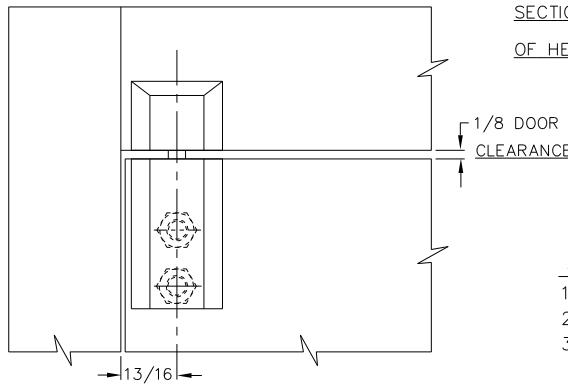
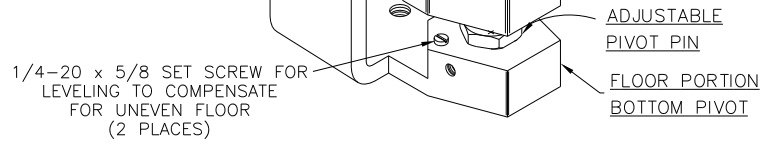
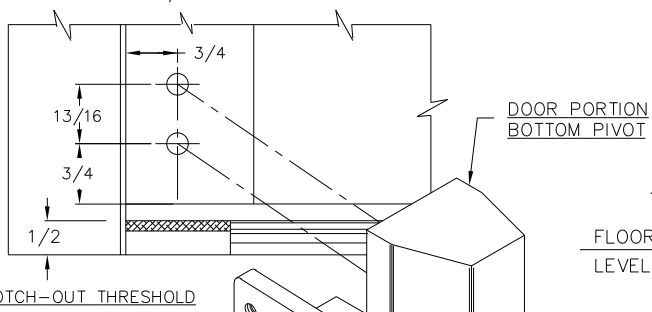
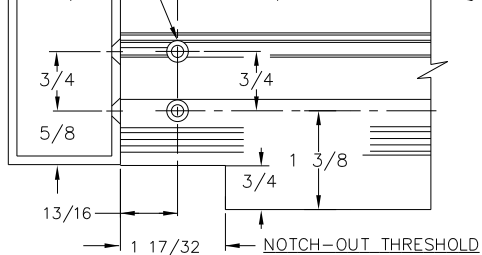
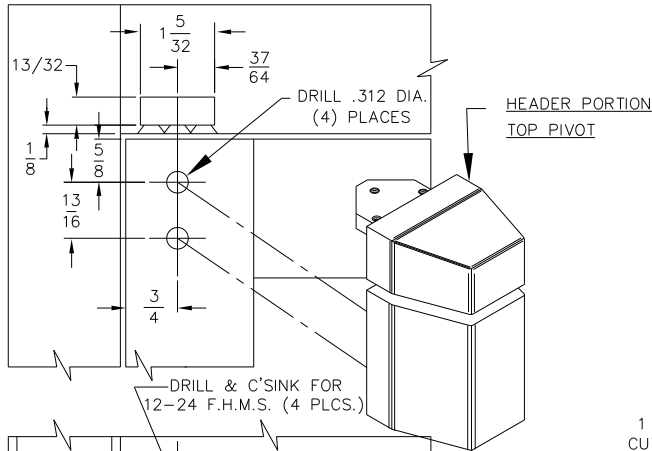
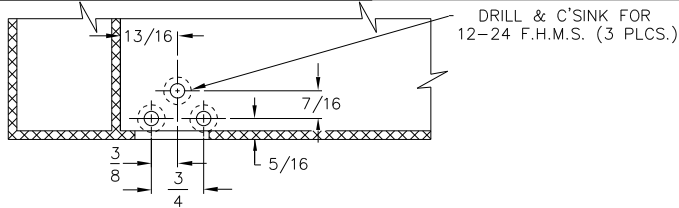
C - DOOR INSTALLATION:

1. PLACE DOOR OVER FLOOR PORTION PIVOT AT A SLIGHT ANGLE.
2. DEPRESS HINGE PIN IN TOP DOOR PORTION PIVOT THEN SLIDE UNDER HEADER PORTION PIVOT UNTIL PIN IS ENGAGED.
3. ADJUST TOP AND BOTTOM DOOR CLEARANCE, AS REQUIRED, BY TURNING ADJUSTABLE PIVOT PIN (AFTER LOOSENING SET SCREW). BE SURE AND RETIGHTEN.

**J34 PIVOT SET
L.H.R.B. (SHOWN)**

C 2/25/98 R E D R A W N		ECN1143		RM
DIMENSIONAL TOLERANCES UNLESS OTHERWISE SPECIFIED		APPROVALS		DATE
DECIMAL DIMENSIONS .XX ± .010		CHECKED		
DECIMAL DIMENSIONS .XXX ± .005		DRAWN		JJM 3/8/97
ANGULAR ± ° FRACTIONAL ± 1/64		SCALE		NONE
FILE NO.	MATERIAL	INSTALLATION INSTRUCTIONS		SHEET 1 OF 1 SHEETS
NEXT ASSY.	FINISH	J-34 PIVOT SET		DWG. NO.
QTY. USED	HEAT TREAT	DOOR FLUSH WITH JAMB		REV.
				10-552
				C





PIVOTS FOR THRESHOLD USE ONLY.

A - PRELIMINARY:

1. DRILL HOLES FOR MOUNTING OF PIVOTS AS SHOWN ON TEMPLATE.
2. ROUTE OUT JAMB AND HEADER AS SHOWN ON TEMPLATE FOR PIVOT INSTALLATION.
3. NOTCH-OUT THRESHOLD FOR INSTALLATION OF FLOOR PIVOT AS SHOWN ON TEMPLATE.

B - PIVOT MOUNTING:

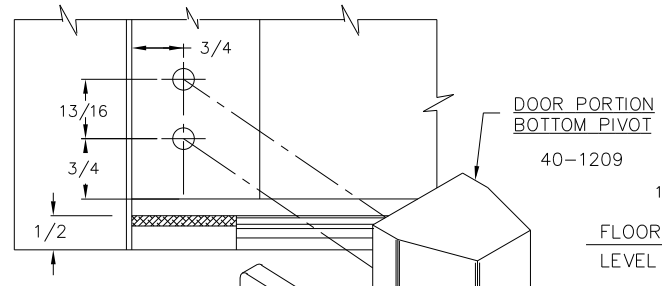
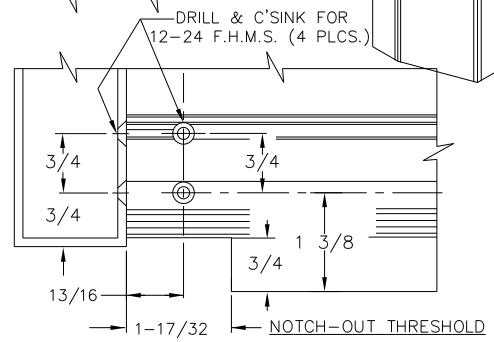
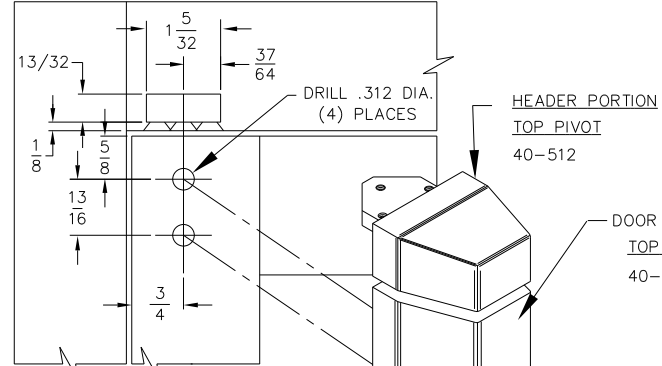
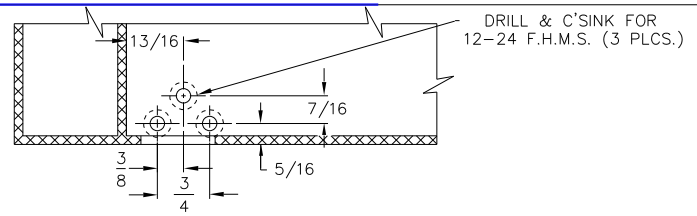
1. INSERT HEADER PORTION PIVOT AND SECURE WITH THREE (3) 12-24 x 3/4 F.H.M.S.
2. PLACE FLOOR PORTION PIVOT IN POSITION AND SECURE TO JAMB WITH TWO (2) 12-24 x 3/4 F.H.M.S.
3. PLACE THRESHOLD IN POSITION AND SECURE IN NORMAL MANNER, THEN SECURE THRESHOLD TO PIVOT BY USING TWO (2) 12-24 x 3/8 F.H.M.S.
4. PLACE TOP DOOR PORTION PIVOT IN POSITION AND SECURE TO DOOR WITH TWO (2) 5/16 - 18 x 1/2 HEX HD. CAP SCREW w/EXT. SEMS AND SHOWN ON SECTION VIEW.
5. PLACE BOTTOM DOOR PORTION PIVOT IN POSITION AND SECURE TO DOOR WITH TWO (2) 5/16 - 18 x 1/2 HEX HD. CAP SCREW w/EXT. SEMS.

C - DOOR INSTALLATION:

1. PLACE DOOR OVER FLOOR PORTION PIVOT AT A SLIGHT ANGLE.
2. DEPRESS HINGE PIN IN TOP DOOR PORTION PIVOT THEN SLIDE UNDER HEADER PORTION PIVOT UNTIL PIN IS ENGAGED.
3. ADJUST TOP AND BOTTOM DOOR CLEARANCE, AS REQUIRED, BY TURNING ADJUSTABLE PIVOT PIN (AFTER LOOSENING SET SCREW). BE SURE AND RETIGHTEN.

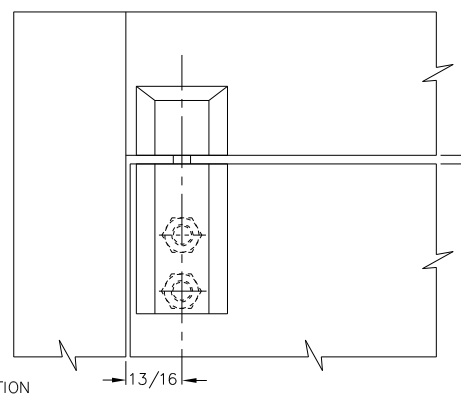
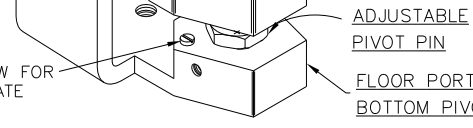
J-25 PIVOT SET
 R.H. \ LHRB SHOWN
 L.H. \ RHRB (OPP.)

B	2/25/98	RE D R A W N	ECN1143	RM
DIMENSIONAL TOLERANCES UNLESS OTHERWISE SPECIFIED		APPROVALS	DATE	 3447 UNION PACIFIC AVE. LOS ANGELES, CALIF. 90023
DECIMAL DIMENSIONS .XX	± .010	APPROVED		
DECIMAL DIMENSIONS .XXX	± .005	CHECKED		
ANGULAR ± °	FRACTIONAL ± 1/64	DRAWN	JJM 2/14/97	
FILE NO.	NEXT ASSY.	QTY. USED	SCALE	
	FINISH	HEAT TREAT	NONE	
INSTALLATION INSTRUCTIONS J-25 PIVOT SET DOOR FLUSH			SHEET 1 OF 1 SHEETS DWG. NO. 10-568	REV. B

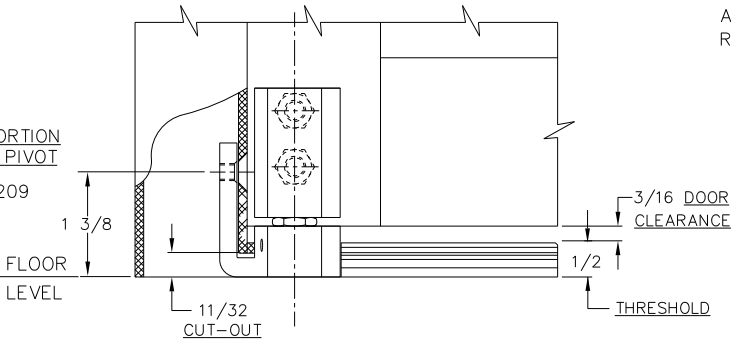
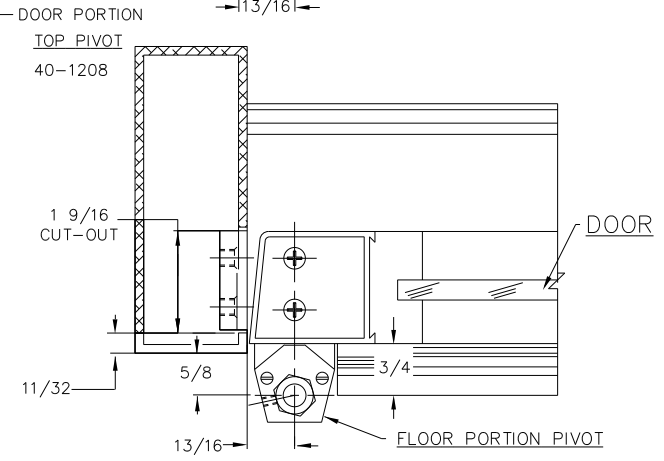
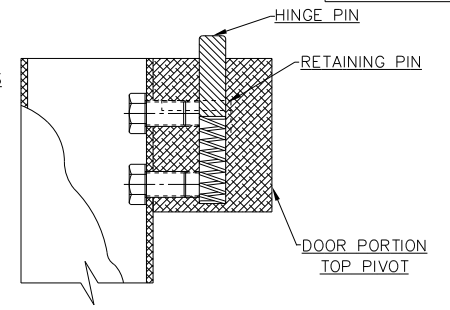


NOTCH-OUT THRESHOLD

1/4-20 x 5/8 SET SCREW FOR LEVELING TO COMPENSATE FOR UNEVEN FLOOR (2 PLACES)



SECTION VIEW SHOWING INSTALLATION OF HEX HD. CAP SCREW w/ EXT. SEMS



PIVOTS FOR THRESHOLD USE ONLY.

A - PRELIMINARY:

1. DRILL HOLES FOR MOUTNING OF PIVOTS AS SHOWN ON TEMPLATE.
2. ROUTE OUT JAMB AND HEADER AS SHOWN ON TEMPLATE FOR PIVOT INSTALLATION.
3. NOTCH-OUT THRESHOLD FOR INSTALLATION OF FLOOR PIVOT AS SHOWN ON TEMPLATE.

B - PIVOT MOUNTING:

1. INSERT HEADER PORTION PIVOT AND SECURE WITH THREE (3) 12-24 x 3/4 F.H.M.S.
2. PLACE FLOOR PORTION PIVOT IN POSITION AND SECURE TO JAMB WITH TWO (2) 12-24 x 3/4 F.H.M.S.
3. PLACE THRESHOLD IN POSITION AND SECURE IN NORMAL MANNER, THEN SECURE THRESHOLD TO PIVOT BY USING TWO (2) 12-24 x 3/8 F.H.M.S.
4. PLACE TOP DOOR PORTION PIVOT IN POSITION AND SECURE TO DOOR WITH TWO (2) 5/16 - 18 x 1/2 HEX HD. CAP SCREW w/EXT. SEMS AND SHOWN ON SECTION VIEW.
5. PLACE BOTTOM DOOR POTION PIVOT IN POSITION AND SECURE TO DOOR WITH TWO (2) 5/16 - 18 x 1/2 HEX HD. CAP SCREW w/EXT. SEMS.

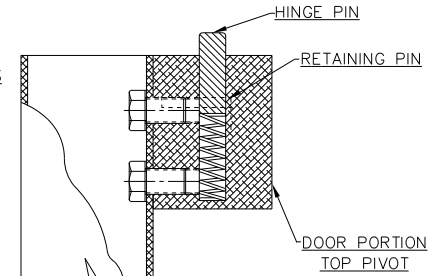
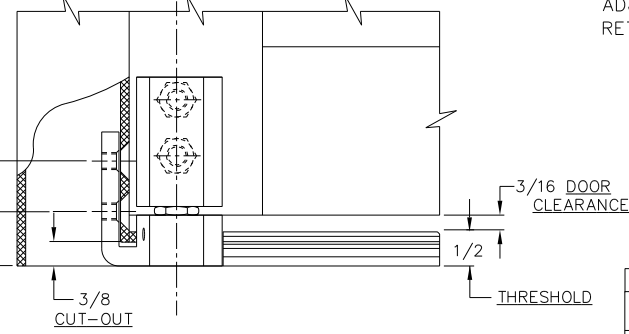
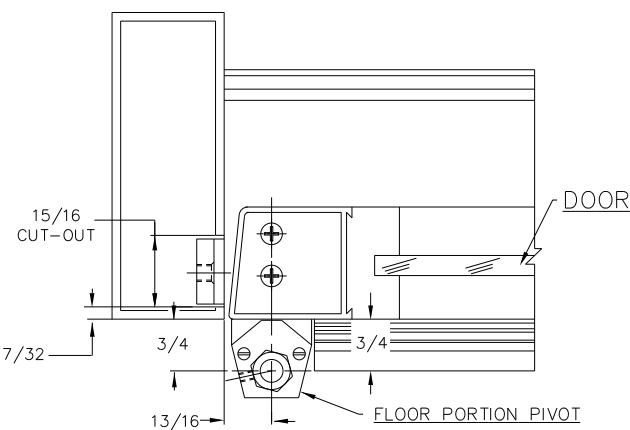
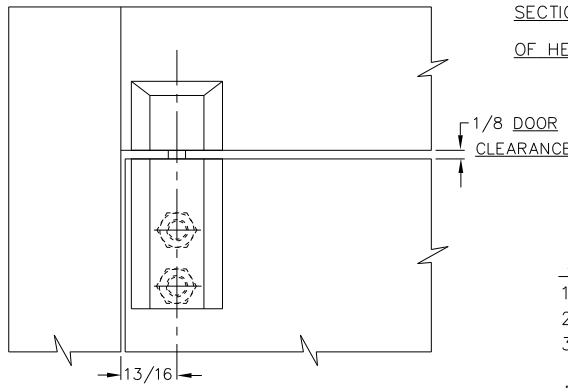
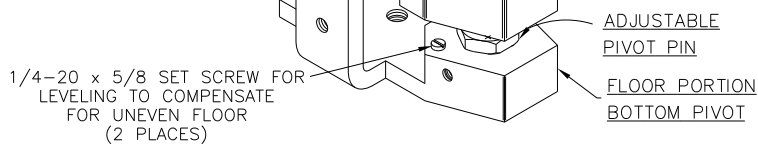
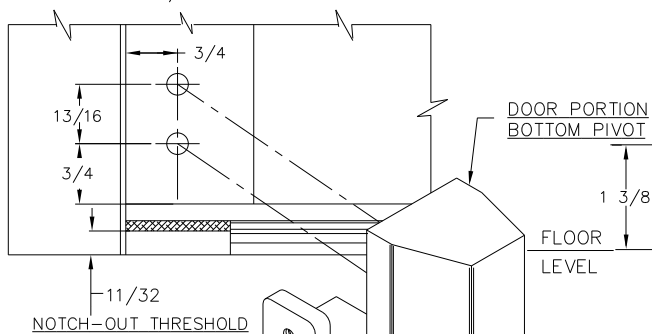
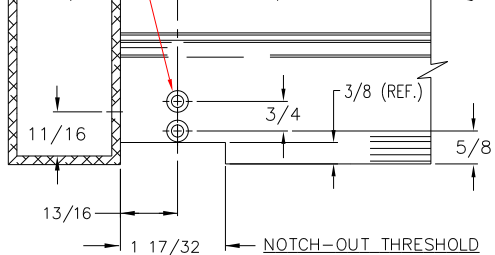
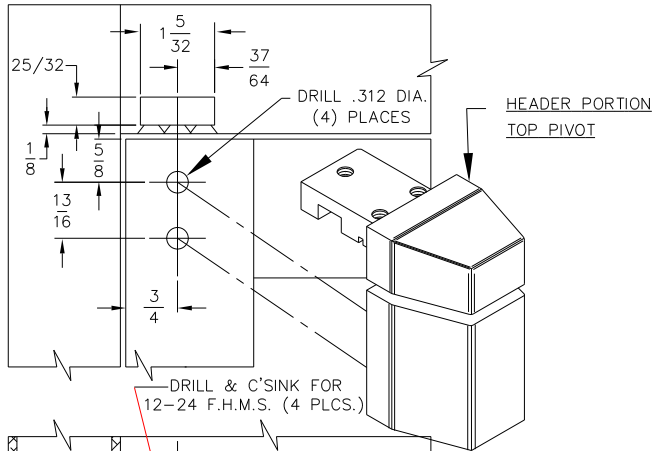
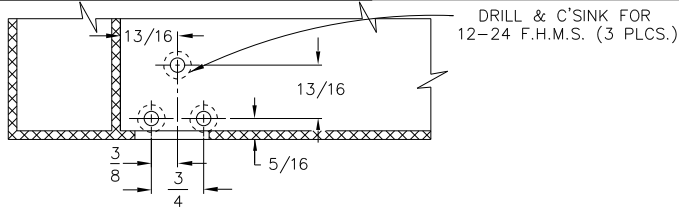
C - DOOR INSTALLATION:

1. PLACE DOOR OVER FLOOR PORTION PIVOT AT A SLIGHT ANGLE.
2. DEPRESS HINGE PIN IN TOP DOOR PORTION PIVOT THEN SLIDE UNDER HEADER PORTION PIVOT UNTIL PIN IS ENGAGED.
3. ADJUST TOP AND BOTTOM DOOR CLEARANCE, AS REQUIRED, BY TURNING ADJUSTABLE PIVOT PIN (AFTER LOOSENING SET SCREW). BE SURE AND RETIGHTEN.

J-26 PIVOT SET
 R.H. \ LHRB SHOWN
 L.H. \ RHRB (OPP.)

C	10/31/00	REVISE ASSY NO'S	ECN1429	RM
B	2/25/98	R E D R A W N	ECN1143	RM
DIMENSIONAL TOLERANCES UNLESS OTHERWISE SPECIFIED		APPROVALS	DATE	
DECIMAL DIMENSIONS .XX ± .010		APPROVED		
DECIMAL DIMENSIONS .XXX ± .005		CHECKED		
ANGULAR ± ° FRACTIONAL ± 1/64		DRAWN	JJM	2/14/97
FILE NO.	MATERIAL	SCALE	NONE	
NEXT ASSY.	FINISH	INSTALLATION INSTRUCTIONS		SHEET 1 OF 1 SHEETS
QTY. USED	HEAT TREAT	J-26 PIVOT SET DOOR RECESS: 1/8		DWG. NO. 10-569
				REV. C





SECTION VIEW SHOWING INSTALLATION OF HEX HD. CAP SCREW w/ EXT. SEMS

A - PRELIMINARY:

1. DRILL HOLES FOR MOUNTING OF PIVOTS AS SHOWN ON TEMPLATE.
2. ROUTE OUT JAMB AND HEADER AS SHOWN ON TEMPLATE FOR PIVOT INSTALLATION.
3. NOTCH-OUT THRESHOLD FOR INSTALLATION OF FLOOR PIVOT AS SHOWN ON TEMPLATE.

B - PIVOT MOUNTING:

1. INSERT HEADER PORTION PIVOT AND SECURE WITH THREE (3) 12-24 x 3/4 F.H.M.S.
2. PLACE FLOOR PORTION PIVOT IN POSITION AND SECURE TO JAMB WITH TWO (2) 12-24 x 3/4 F.H.M.S.
3. PLACE THRESHOLD IN POSITION AND SECURE IN NORMAL MANNER, THEN SECURE THRESHOLD TO PIVOT BY USING TWO (2) 12-24 x 3/8 F.H.M.S.
4. PLACE TOP DOOR PORTION PIVOT IN POSITION AND SECURE TO DOOR WITH TWO (2) 5/16 - 18 x 1/2 HEX HD. CAP SCREW w/EXT. SEMS AND SHOWN ON SECTION VIEW.
5. PLACE BOTTOM DOOR PORTION PIVOT IN POSITION AND SECURE TO DOOR WITH TWO (2) 5/16 - 18 x 1/2 HEX HD. CAP SCREW w/EXT. SEMS.

C - DOOR INSTALLATION:

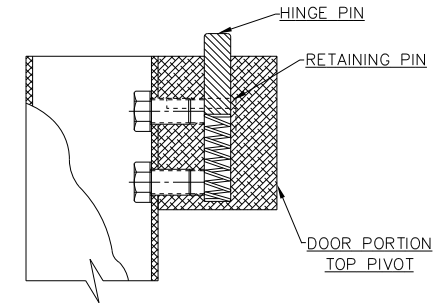
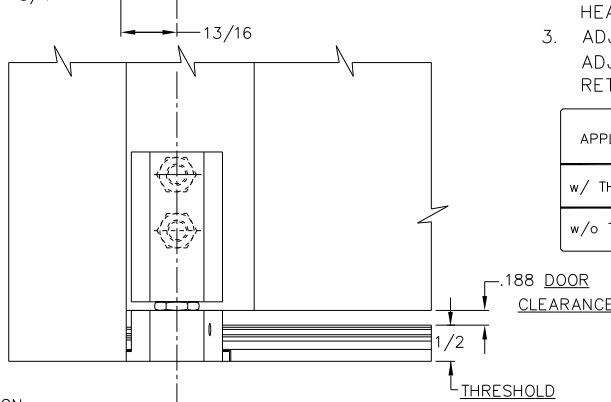
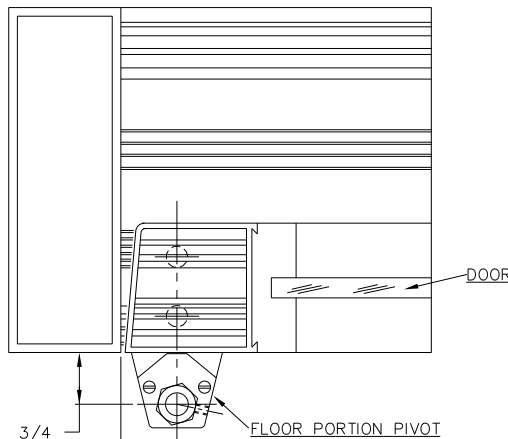
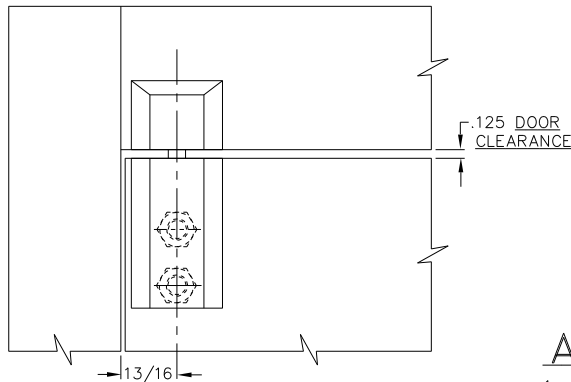
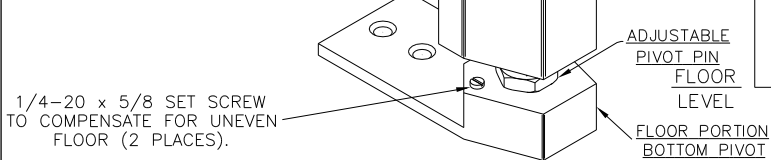
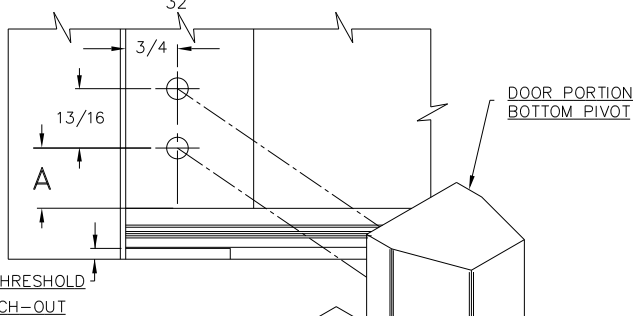
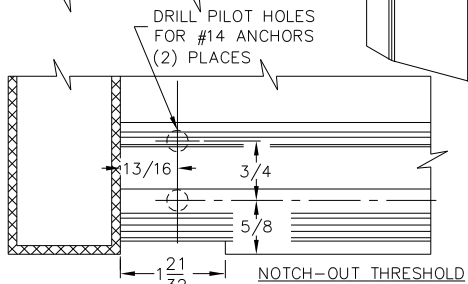
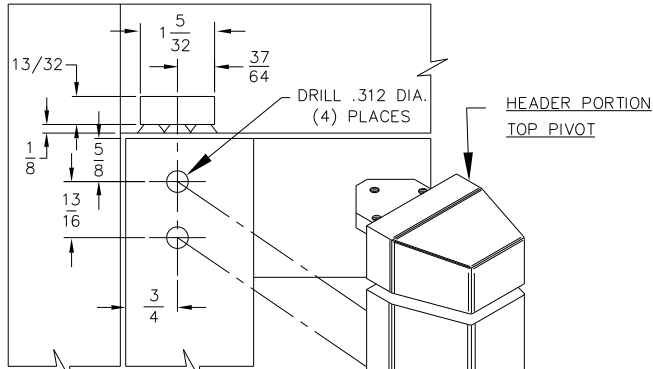
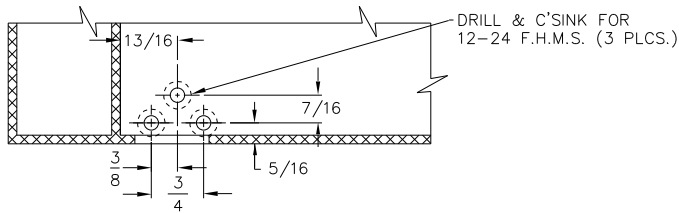
1. PLACE DOOR OVER FLOOR PORTION PIVOT AT A SLIGHT ANGLE.
2. DEPRESS HINGE PIN IN TOP DOOR PORTION PIVOT THEN SLIDE UNDER HEADER PORTION PIVOT UNTIL PIN IS ENGAGED.
3. ADJUST TOP AND BOTTOM DOOR CLEARANCE, AS REQUIRED, BY TURNING ADJUSTABLE PIVOT PIN (AFTER LOOSENING SET SCREW). BE SURE AND RETIGHTEN.

J-43 PIVOT SET
 R.H. \ LHRB SHOWN
 L.H. \ RHRB (OPP.)

PIVOTS FOR THRESHOLD USE ONLY.

B	2/25/98	REDRAWN	ECN1143	RM
DIMENSIONAL TOLERANCES UNLESS OTHERWISE SPECIFIED		APPROVALS	DATE	
DECIMAL DIMENSIONS .XX ± .010		APPROVED		
DECIMAL DIMENSIONS .XXX ± .005		CHECKED		
ANGULAR ± X ° FRACTIONAL ± 1/64		DRAWN	JJM	2/14/97
FILE NO.		MATERIAL	SCALE	NONE
NEXT ASSY.		FINISH	INSTALLATION INSTRUCTIONS	
QTY. USED		HEAT TREAT	J-43 PIVOT SET	
			DOOR FLUSH WITH JAMB	
			SHEET 1 OF 1 SHEETS	REV.
			DWG. NO.	10-570
				B





SECTION VIEW SHOWING INSTALLATION OF HEX HD. CAP SCREW w/ EXT. SEMS

A - PRELIMINARY:

1. DRILL HOLES FOR MOUTNING OF PIVOTS AS SHOWN ON TEMPLATE.
2. ROUTE OUT JAMB AND HEADER AS SHOWN ON TEMPLATE FOR PIVOT INSTALLATION.
3. NOTCH-OUT THRESHOLD FOR INSTALLATION OF FLOOR PIVOT AS SHOWN ON TEMPLATE.

B - PIVOT MOUNTING:

1. INSERT HEADER PORTION PIVOT AND SECURE WITH THREE (3) 12-24 x 3/4 F.H.M.S.
2. PLACE FLOOR PORTION PIVOT IN POSITION AND SECURE WITH TWO (2) #14 x 1/2 F.H.W.S. AND TWO (2) #14 ANCHORS.
3. PLACE THRESHOLD IN POSITION AND SECURE IN NORMAL MANNER.
4. PLACE TOP DOOR PORTION PIVOT IN POSITION AND SECURE TO DOOR WITH TWO (2) 5/16 - 18 x 1/2 HEX HD. CAP SCREW w/EXT. SEMS AND SHOWN ON SECTION VIEW.
5. PLACE BOTTOM DOOR PORTION PIVOT IN POSITION AND SECURE TO DOOR WITH TWO (2) 5/16 - 18 x 1/2 HEX HD. CAP SCREW w/EXT. SEMS.

C - DOOR INSTALLATION:

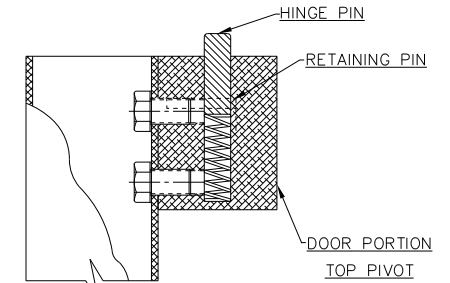
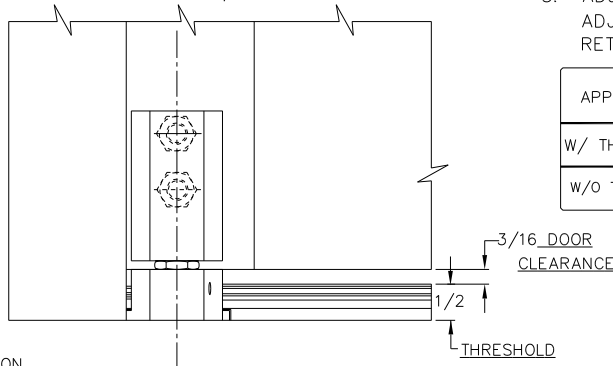
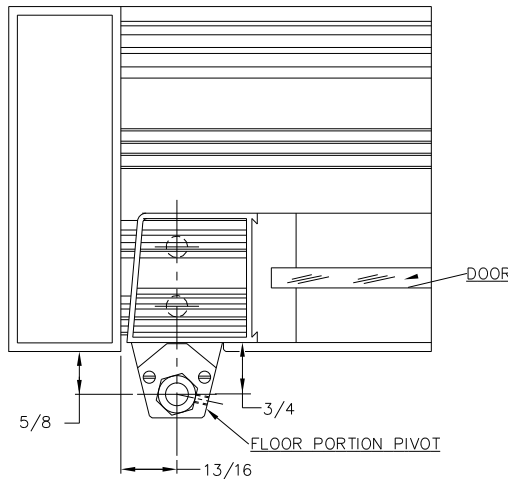
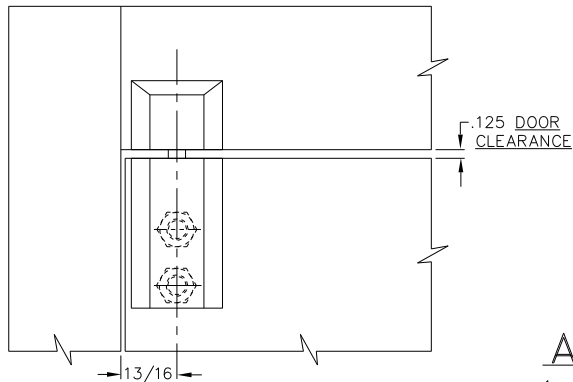
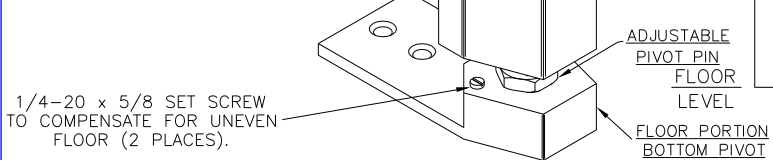
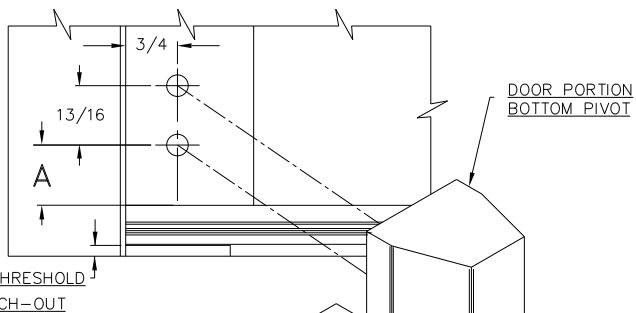
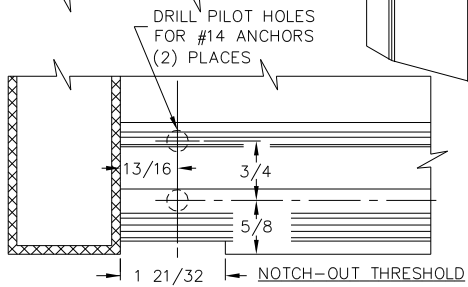
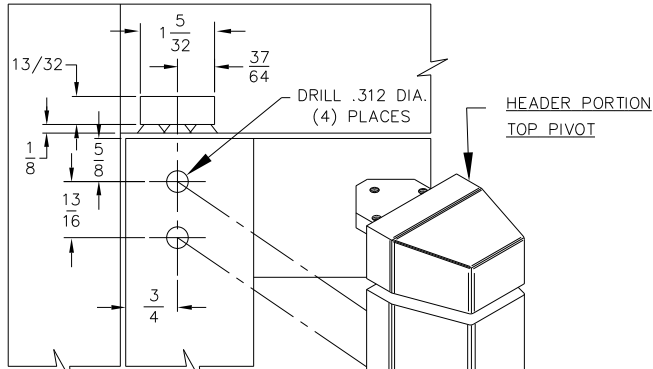
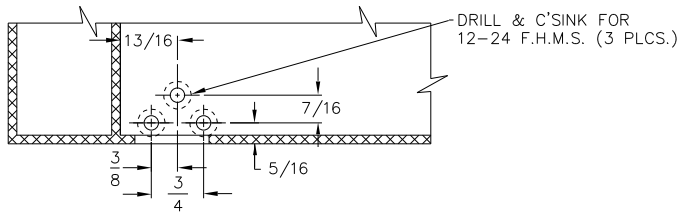
1. PLACE DOOR OVER FLOOR PORTION PIVOT AT A SLIGHT ANGLE.
2. DEPRESS HINGE PIN IN TOP DOOR PORTION PIVOT THEN SLIDE UNDER HEADER PORTION PIVOT UNTIL PIN IS ENGAGED.
3. ADJUST TOP AND BOTTOM DOOR CLEARANCE, AS REQUIRED, BY TURNING ADJUSTABLE PIVOT PIN (AFTER LOOSENING SET SCREW). BE SURE AND RETIGHTEN.

APPLICATION	A
w/ THRESHOLD	3/4
w/o THRESHOLD	1 1/4

J-27 PIVOT SET

FILE NO.	MATERIAL	SCALE	NONE
NEXT ASSY.	FINISH	INSTALLATION INSTRUCTIONS	J-27 PIVOT SET
QTY. USED	HEAT TREAT	DOOR FLUSH WITH JAMB	
A 2/25/98 RED R W A N		ECN1143 RM	
DIMENSIONAL TOLERANCES UNLESS OTHERWISE SPECIFIED		APPROVALS DATE	
DECIMAL DIMENSIONS .XX ± .010		APPROVED	
DECIMAL DIMENSIONS .XXX ± .005		CHECKED	
ANGULAR ± ° FRACTIONAL ± 1/64		DRAWN	JJM 2/14/97
SHEET 1 OF 1 SHEETS			
DWG. NO.			REV.
10-574			A





SECTION VIEW SHOWING INSTALLATION OF HEX HD. CAP SCREW w/ EXT. SEMS

A - PRELIMINARY:

1. DRILL HOLES FOR MOUTNING OF PIVOTS AS SHOWN ON TEMPLATE.
2. ROUTE OUT JAMB AND HEADER AS SHOWN ON TEMPLATE FOR PIVOT INSTALLATION.
3. NOTCH-OUT THRESHOLD FOR INSTALLATION OF FLOOR PIVOT AS SHOWN ON TEMPLATE.

B - PIVOT MOUNTING:

1. INSERT HEADER PORTION PIVOT AND SECURE WITH THREE (3) 12-24 x 3/4 F.H.M.S.
2. PLACE FLOOR PORTION PIVOT IN POSITION AND SECURE WITH TWO (2) #14 x 1/2 F.H.W.S. AND TWO (2) #14 ANCHORS.
3. PLACE THRESHOLD IN POSITION AND SECURE IN NORMAL MANNER.
4. PLACE TOP DOOR PORTION PIVOT IN POSITION AND SECURE TO DOOR WITH TWO (2) 5/16 - 18 x 1/2 HEX HD. CAP SCREW w/EXT. SEMS AND SHOWN ON SECTION VIEW.
5. PLACE BOTTOM DOOR POTION PIVOT IN POSITION AND SECURE TO DOOR WITH TWO (2) 5/16 - 18 x 1/2 HEX HD. CAP SCREW w/EXT. SEMS.

C - DOOR INSTALLATION:

1. PLACE DOOR OVER FLOOR PORTION PIVOT AT A SLIGHT ANGLE.
2. DEPRESS HINGE PIN IN TOP DOOR PORTION PIVOT THEN SLIDE UNDER HEADER PORTION PIVOT UNTIL PIN IS ENGAGED.
3. ADJUST TOP AND BOTTOM DOOR CLEARANCE, AS REQUIRED, BY TURNING ADJUSTABLE PIVOT PIN (AFTER LOOSENING SET SCREW). BE SURE AND RETIGHTEN.

APPLICATION	A
W/ THRESHOLD	3/4
W/O THRESHOLD	1 1/4

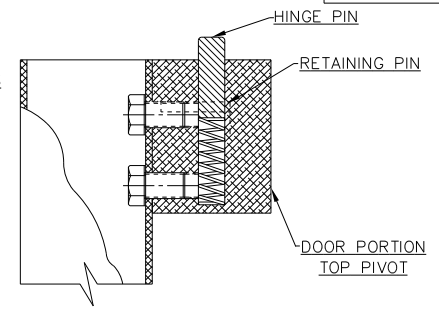
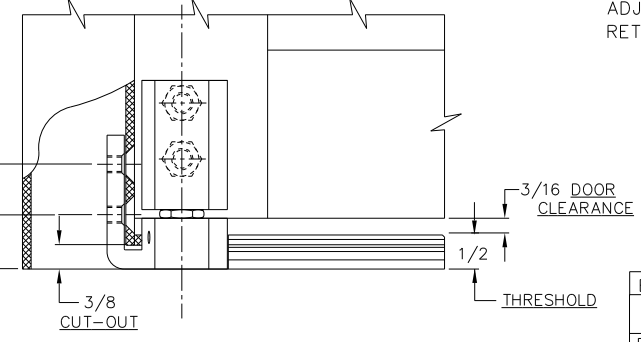
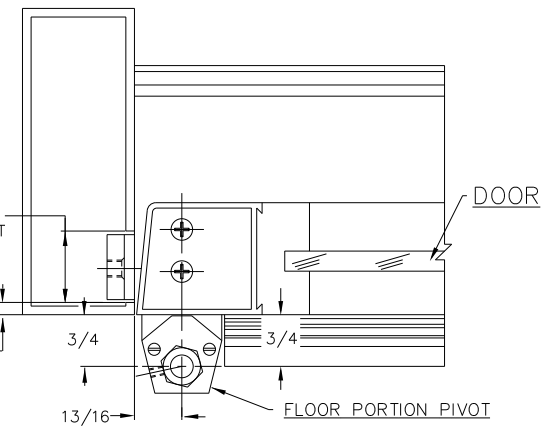
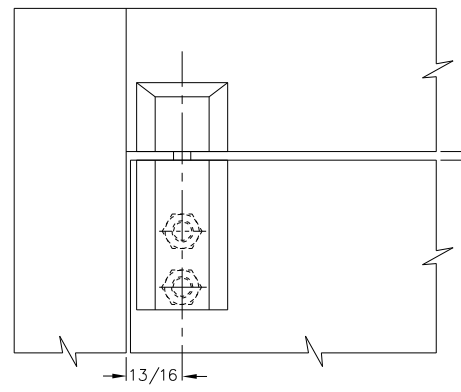
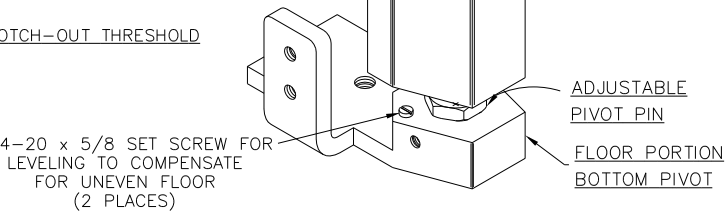
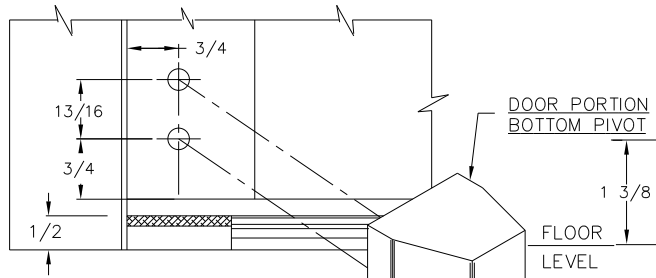
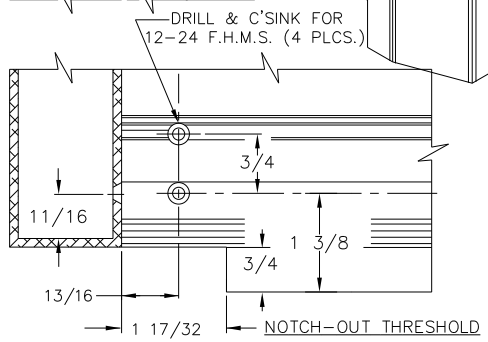
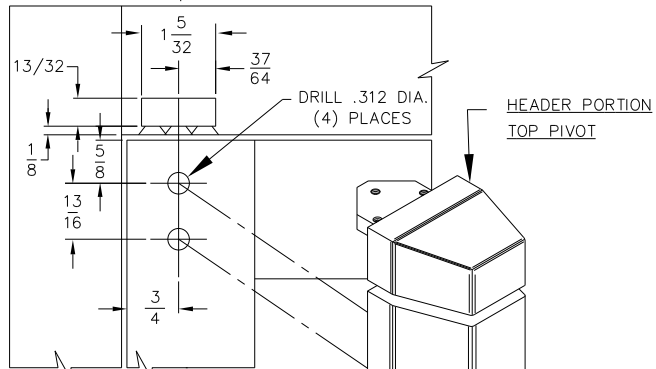
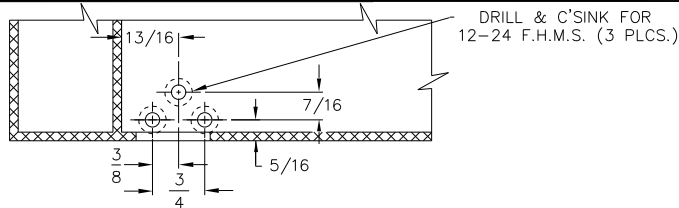
J-28 PIVOT SET

A 2/28/98 R E D R A W N ECN1143 JRM

DIMENSIONAL TOLERANCES UNLESS OTHERWISE SPECIFIED	APPROVALS	DATE
DECIMAL DIMENSIONS .XX ± .010	APPROVED	
DECIMAL DIMENSIONS .XXX ± .005	CHECKED	
ANGULAR DIMENSIONS ± X ° FRACTIONAL ± 1/64	DRAWN	JJM 2/14/97

FILE NO.	MATERIAL	SCALE	NONE
NEXT ASSY.	FINISH	INSTALLATION INSTRUCTIONS	SHEET 1 OF 1 SHEETS
QTY. USED	HEAT TREAT	J-28 PIVOT SET	DWG. NO.
		DOOR RECESS: 1/8"	10-575





A - PRELIMINARY:

1. DRILL HOLES FOR MOUNTING OF PIVOTS AS SHOWN ON TEMPLATE.
2. ROUTE OUT JAMB AND HEADER AS SHOWN ON TEMPLATE FOR PIVOT INSTALLATION.
3. NOTCH-OUT THRESHOLD FOR INSTALLATION OF FLOOR PIVOT AS SHOWN ON TEMPLATE.

B - PIVOT MOUNTING:

1. INSERT HEADER PORTION PIVOT AND SECURE WITH THREE (3) 12-24 x 3/4 F.H.M.S.
2. PLACE FLOOR PORTION PIVOT IN POSITION AND SECURE TO JAMB WITH TWO (2) 12-24 x 3/4 F.H.M.S.
3. PLACE THRESHOLD IN POSITION AND SECURE IN NORMAL MANNER, THEN SECURE THRESHOLD TO PIVOT BY USING TWO (2) 12-24 x 3/8 F.H.M.S.
4. PLACE TOP DOOR PORTION PIVOT IN POSITION AND SECURE TO DOOR WITH TWO (2) 5/16 - 18 x 1/2 HEX HD. CAP SCREW w/EXT. SEMS AND SHOWN ON SECTION VIEW.
5. PLACE BOTTOM DOOR PORTION PIVOT IN POSITION AND SECURE TO DOOR WITH TWO (2) 5/16 - 18 x 1/2 HEX HD. CAP SCREW w/EXT. SEMS.

C - DOOR INSTALLATION:

1. PLACE DOOR OVER FLOOR PORTION PIVOT AT A SLIGHT ANGLE.
2. DEPRESS HINGE PIN IN TOP DOOR PORTION PIVOT THEN SLIDE UNDER HEADER PORTION PIVOT UNTIL PIN IS ENGAGED.
3. ADJUST TOP AND BOTTOM DOOR CLEARANCE, AS REQUIRED, BY TURNING ADJUSTABLE PIVOT PIN (AFTER LOOSENING SET SCREW). BE SURE AND RETIGHTEN.

J-30 PIVOT SET
 R.H. \ LHRB SHOWN
 L.H. \ RHRB (OPP.)

PIVOTS FOR THRESHOLD USE ONLY.

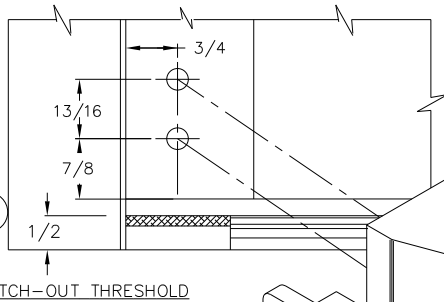
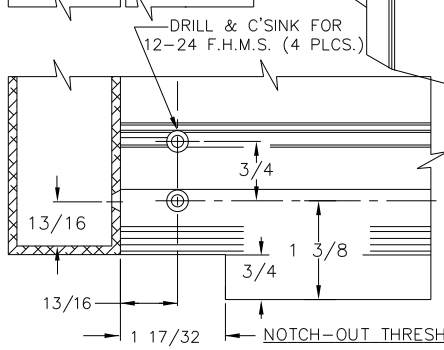
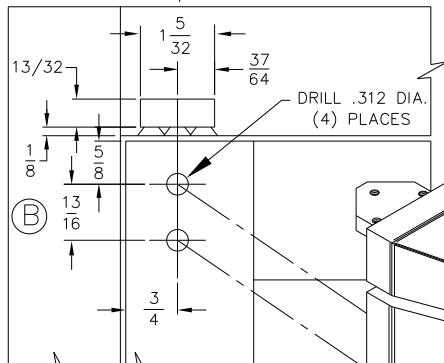
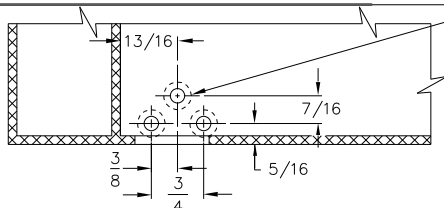
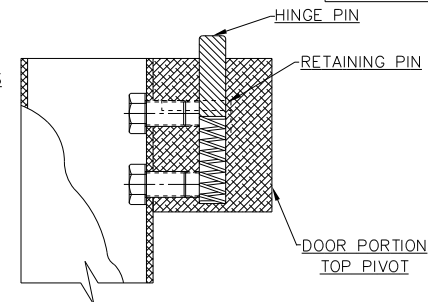
B 2/25/98 REDRAWN		ECN1143		RM
DIMENSIONAL TOLERANCES UNLESS OTHERWISE SPECIFIED		APPROVALS	DATE	
DECIMAL DIMENSIONS .XX ± .010		APPROVED		
DECIMAL DIMENSIONS .XXX ± .005		CHECKED		
ANGULAR ± X ° FRACTIONAL ± 1/64		DRAWN	JJM	2/14/97
FILE NO.	MATERIAL	SCALE	NONE	
NEXT ASSY.	FINISH	INSTALLATION INSTRUCTIONS		SHEET 1 OF 1 SHEETS
QTY. USED	HEAT TREAT	J-30 PIVOT SET		DWG. NO.
		DOOR FLUSH WITH JAMB		10-582
				REV. B



DRILL & C'SINK FOR 12-24 F.H.M.S. (3 PLCS.)

PIVOTS FOR THRESHOLD USE ONLY.

SECTION VIEW SHOWING INSTALLATION OF HEX HD. CAP SCREW w/ EXT. SEMS



HEADER PORTION TOP PIVOT

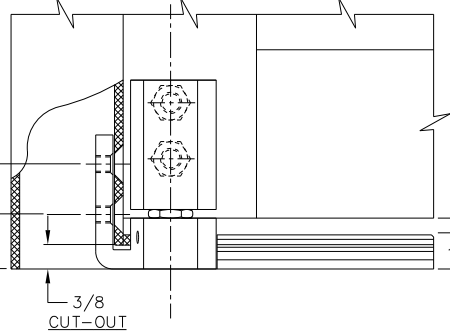
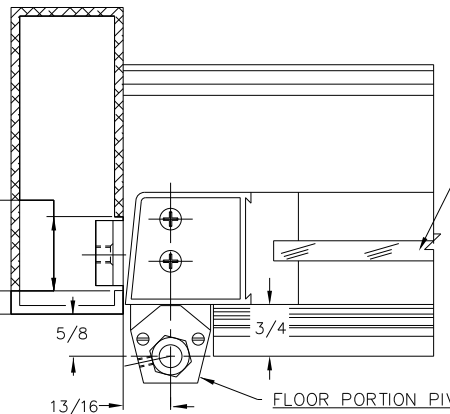
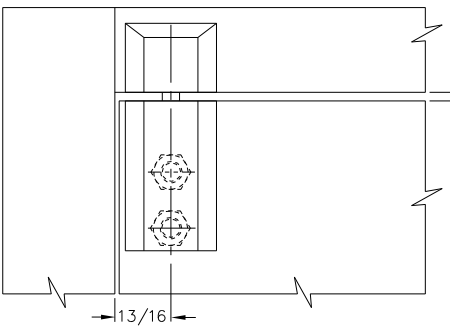
DRILL .312 DIA. (4) PLACES

DRILL & C'SINK FOR 12-24 F.H.M.S. (4 PLCS.)

DOOR PORTION BOTTOM PIVOT

FLOOR LEVEL

FLOOR PORTION BOTTOM PIVOT



A - PRELIMINARY:

1. DRILL HOLES FOR MOUTNING OF PIVOTS AS SHOWN ON TEMPLATE.
2. ROUTE OUT JAMB AND HEADER AS SHOWN ON TEMPLATE FOR PIVOT INSTALLATION.
3. NOTCH-OUT THRESHOLD FOR INSTALLATION OF FLOOR PIVOT AS SHOWN ON TEMPLATE.

B - PIVOT MOUNTING:

1. INSERT HEADER PORTION PIVOT AND SECURE WITH THREE (3) 12-24 x 3/4 F.H.M.S.
2. PLACE FLOOR PORTION PIVOT IN POSITION AND SECURE TO JAMB WITH TWO (2) 12-24 x 3/4 F.H.M.S.
3. PLACE THRESHOLD IN POSITION AND SECURE IN NORMAL MANNER, THEN SECURE THRESHOLD TO PIVOT BY USING TWO (2) 12-24 x 3/8 F.H.M.S.
4. PLACE TOP DOOR PORTION PIVOT IN POSITION AND SECURE TO DOOR WITH TWO (2) 5/16 - 18 x 1/2 HEX HD. CAP SCREW w/EXT. SEMS AND SHOWN ON SECTION VIEW.
5. PLACE BOTTOM DOOR PORTION PIVOT IN POSITION AND SECURE TO DOOR WITH TWO (2) 5/16 - 18 x 1/2 HEX HD. CAP SCREW w/EXT. SEMS.

C - DOOR INSTALLATION:

1. PLACE DOOR OVER FLOOR PORTION PIVOT AT A SLIGHT ANGLE.
2. DEPRESS HINGE PIN IN TOP DOOR PORTION PIVOT THEN SLIDE UNDER HEADER PORTION PIVOT UNTIL PIN IS ENGAGED.
3. ADJUST TOP AND BOTTOM DOOR CLEARANCE, AS REQUIRED, BY TURNING ADJUSTABLE PIVOT PIN (AFTER LOOSENING SET SCREW). BE SURE AND RETIGHTEN.

(A) D NOTE:

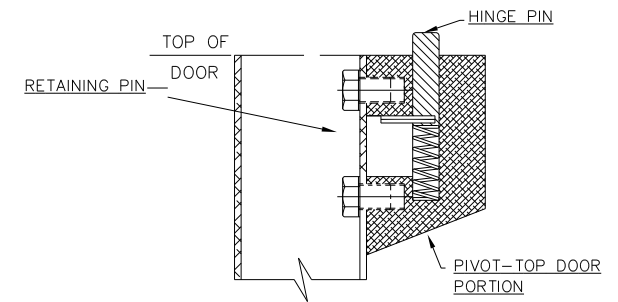
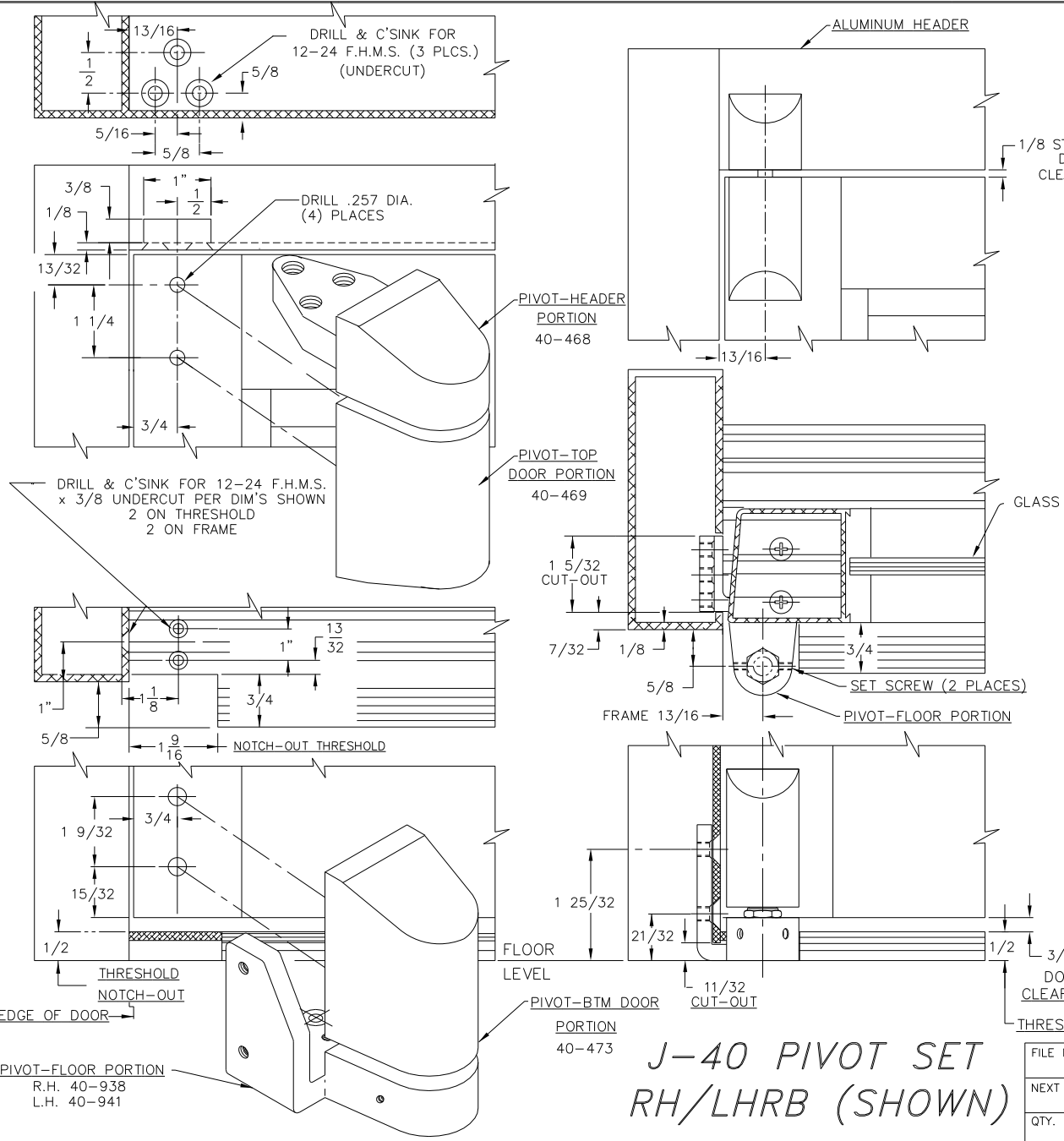
1. DOOR FRAME OPENING MUST BE EQUAL TO DOOR HEIGHT PLUS 13/16 IN ORDER TO HAVE ADJUSTMENTS AND CLEARANCE AS SHOWN ON THIS DRAWING.

1/4-20 x 5/8 SET SCREW FOR LEVELING TO COMPENSATE FOR UNEVEN FLOOR (2 PLACES)

J-31 PIVOT SET
R.H. \ LHRB SHOWN
L.H. \ RHRB (OPP.)

D 2/25/98 REDRAWN		ECN1143		RM
DIMENSIONAL TOLERANCES UNLESS OTHERWISE SPECIFIED		APPROVALS	DATE	
DECIMAL DIMENSIONS .XX ± .010		APPROVED		
DECIMAL DIMENSIONS .XXX ± .005		CHECKED		
ANGULAR ± X ° FRACTIONAL ± 1/64		DRAWN	JJM	2/14/97
FILE NO.	FINISH	SCALE		NONE
NEXT ASSY.	HEAT TREAT	INSTALLATION INSTRUCTIONS		SHEET 1 OF 1 SHEETS
QTY. USED		J-31 PIVOT SET		DWG. NO.
		DOOR RECESS: 1/8		10-583
				REV. D





A - PRELIMINARY:

1. DRILL HOLES FOR MOUNTING OF PIVOTS AS SHOWN ON TEMPLATE.
2. ROUTE OUT FRAME AND HEADER AS SHOWN ON TEMPLATE FOR PIVOT INSTALLATION.
3. NOTCH-OUT THRESHOLD FOR INSTALLATION OF FLOOR PIVOT AS SHOWN ON TEMPLATE.

B - PIVOT MOUNTING:

1. INSTALL TOP AND BOTTOM DOOR PIVOTS USING (2 EA.) 5/16-18 x 1/2 HEX HD. CAP SCREW AND (2 EA.) LOCKWASHERS AS SHOWN ON SECTION VIEW.
2. INSERT HEADER PORTION OF PIVOT AND SECURE WITH THREE 10-24 F.H.M.S.
3. PLACE FLOOR PORTION OF PIVOT IN POSITION AND SECURE TO FRAME WITH TWO 10-24 x 3/8 F.H.M.S.
4. PLACE THRESHOLD IN POSITION, SECURE IN NORMAL MANNER AND SECURE THRESHOLD TO FLOOR PIVOT USING TWO 10-24 x 3/8 F.H.M.S.

C - DOOR INSTALLATION:

1. PLACE DOOR OVER FLOOR PORTION PIVOT AT A SLIGHT ANGLE.
2. DEPRESS HINGE PIN IN TOP DOOR PORTION PIVOT THEN SLIDE UNDER HEADER PORTION PIVOT UNTIL PIN IS ENGAGED.
3. ADJUST TOP AND BOTTOM DOOR CLEARANCE, AS REQUIRED, BY TURNING ADJUSTABLE PIVOT PIN (AFTER LOOSENING SET SCREW). BE SURE AND RETIGHTEN.

**J-40 PIVOT SET
RH/LHRB (SHOWN)**

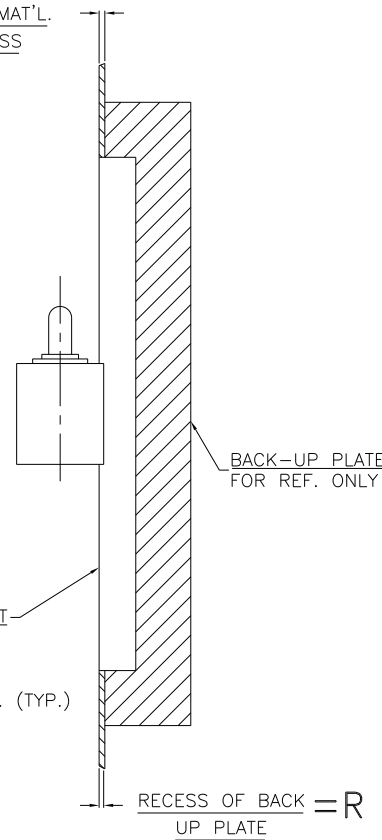
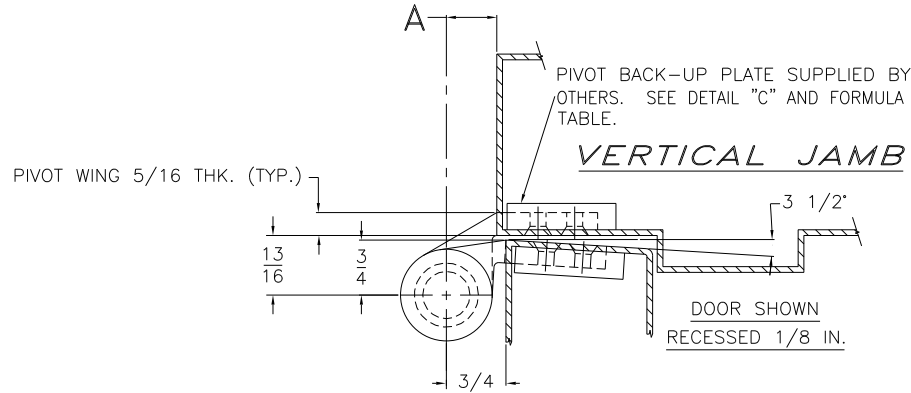
C 2/25/98	RE DRAW N	ECN1143	RM
B 3/16/90	15/32 WAS 19/32		RM
DIMENSIONAL TOLERANCES UNLESS OTHERWISE SPECIFIED		APPROVALS	DATE
DECIMAL DIMENSIONS .XX ± .010		APPROVED	
DECIMAL DIMENSIONS .XXX ± .005		CHECKED	
ANGULAR ± °	FRACTIONAL ± 1/64	DRAWN	JJM 3/8/97
FILE NO.	MATERIAL	SCALE	NONE
NEXT ASSY.	FINISH	INSTALLATION INSTRUCTIONS J-40 PIVOT SET DOOR RECESS 1/8	
QTY. USED	HEAT TREAT	SHEET 1 OF 1 SHEETS	REV. C
		DWG. NO.	10-636



FORMULA TABLE FOR CUT-OUT OF RECESS

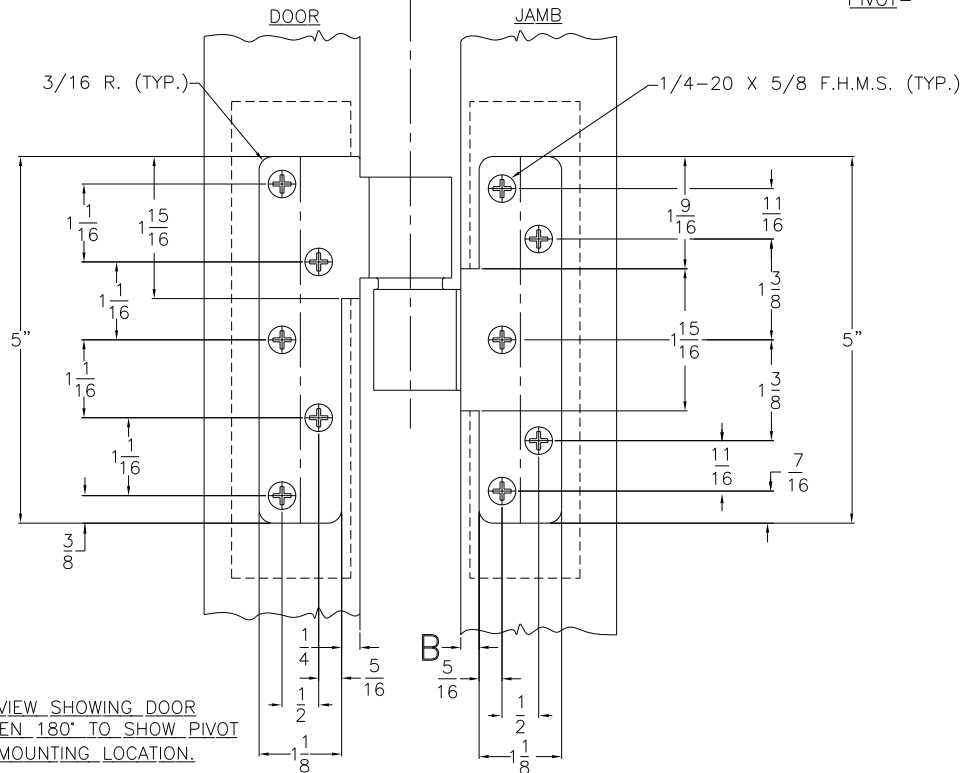
EXAMPLE: 'R' = T' - .314
 'T' = ALUM. MAT'L. THICKNESS OF .125
 'R' = .125 - .314
 'R' = .189 RECESS CUT-OUT

$$T = \frac{\text{DOOR \& JAMB MAT'L.}}{\text{WALL THICKNESS}}$$



DETAIL C

DIMS.	A	B
DOOR FLUSH TO JAMB.	3/4	1/4
DOOR RECESSED 1/8 INCH.	5/8	3/8



J-190 PIVOT SET
 RH/L.H.R.B. SHOWN

C 2/28/98 R E D R A W N ECN1143 RM

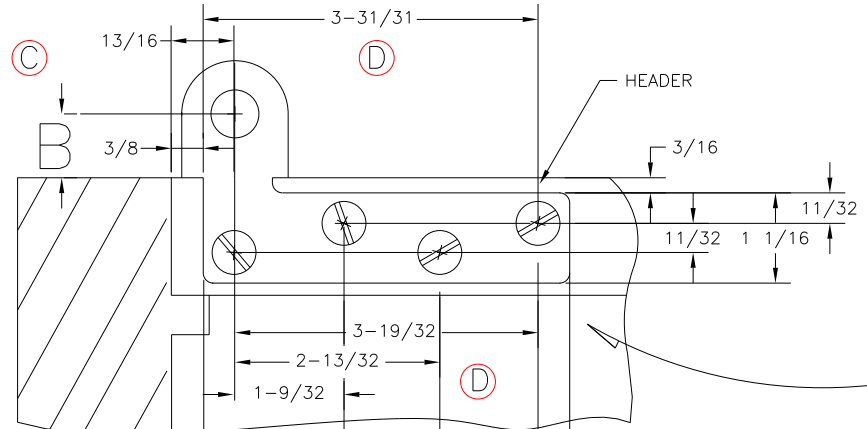
DIMENSIONAL TOLERANCES UNLESS OTHERWISE SPECIFIED	APPROVALS	DATE
DECIMAL DIMENSIONS .XX ± .010	APPROVED	
DECIMAL DIMENSIONS .XXX ± .005	CHECKED	
ANGULAR ± x ° FRACTIONAL ± 1/64	DRAWN	JJM 2-23-98
MATERIAL	SCALE	NONE



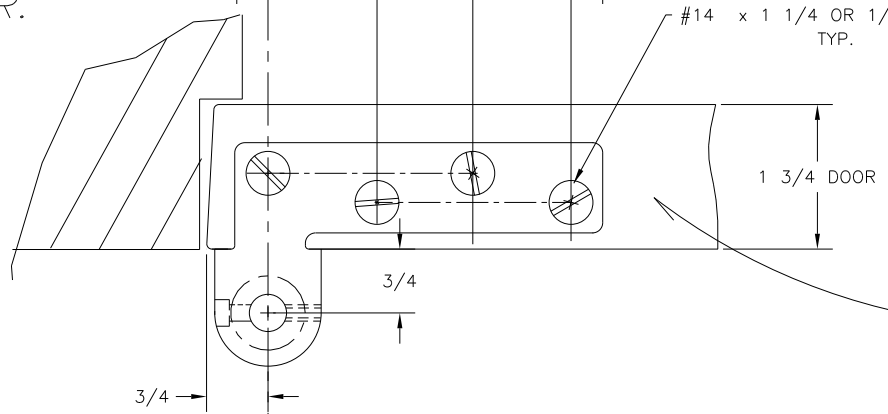
3447 UNION PACIFIC AVE.
 LOS ANGELES, CALIF. 90023

FILE NO.	FINISH	J-190	SHEET X OF X SHEETS
NEXT ASSY.	HEAT TREAT	INTERMEDIATE PIVOT	DWG. NO. 10-642
QTY. USED			REV. C

DIMENSION	B
DOORS RECESSED 1/8 INCH	5/8
DOORS FLUSH WITH HEADER	3/4



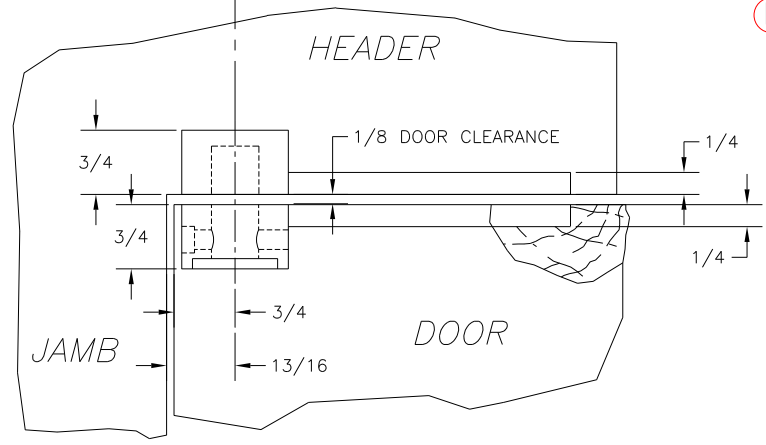
VIEW LOOKING UP
AT HEADER.



HEADER (PORTION)

DOOR (PORTION)

B RH/LHRB SHOWN



D 05.03.02 3-31/32 WAS 3-7/8	ECN1578	RM
C 03/30/01 ADD 3/8 DIM	ECN1471	RM
B 11/19/97 ADD HANDING FOR CLARIFICATION	ECN1128	RM

DIMENSIONAL TOLERANCES UNLESS OTHERWISE SPECIFIED	APPROVALS	DATE
DECIMAL DIMENSIONS .XX ± .010	CHECKED	
DECIMAL DIMENSIONS .XXX ± .005	DRAWN	JJM 12-8-96
ANGULAR ± N/A FRACTIONAL ± 1/64		



3447 UNION PACIFIC AVE.
LOS ANGELES, CALIF. 90023

FILE NO.	MATERIAL	SCALE	NONE
NEXT ASSY.	FINISH	INSTALLATION INSTR. TOP OFFSET PIVOT (J110 & J110-1/8)	
QTY. USED	HEAT TREAT	DWG. NO.	10-866
		REV.	D

